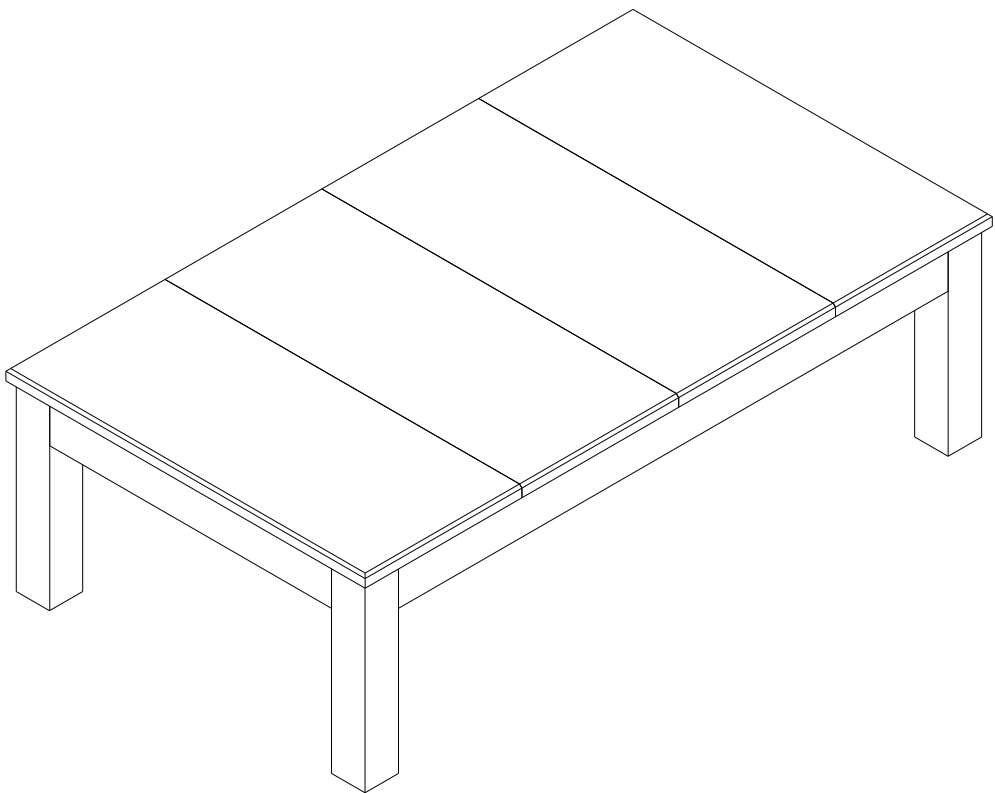






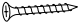




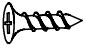
29-2920298

# 8' *PENELOPE*


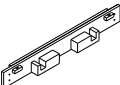
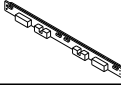
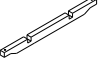
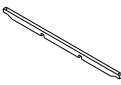


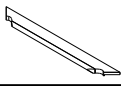



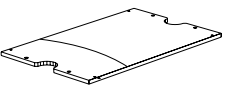
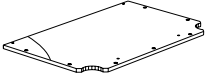

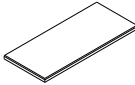
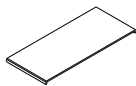


## **PENELOP TABLE ASSEMBLY INSTRUCTIONS**

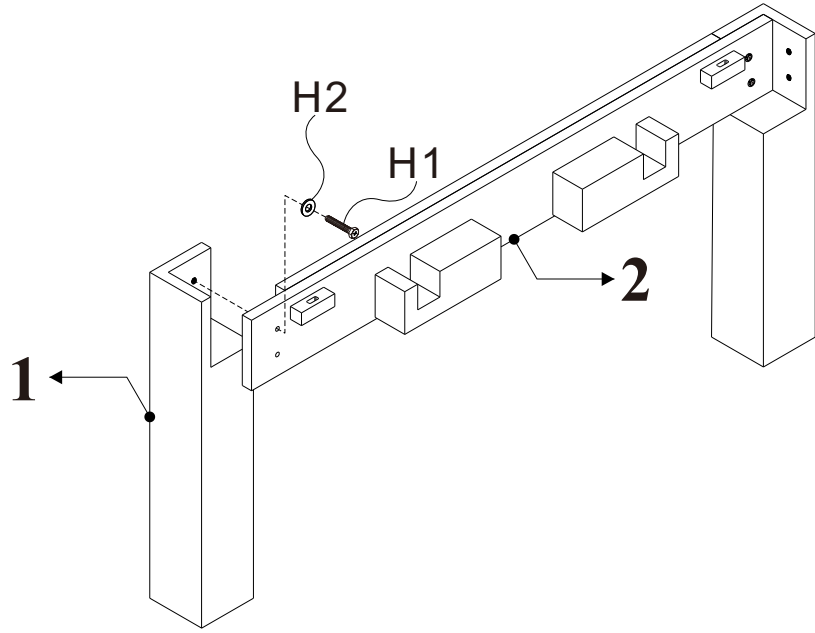
## REPLACEMENT PARTS LIST (HARDWARE)

PACKAGE	ITEM #	SAMPLE	DESCRIPTION	QTY.
LEG/PANEL	H1		HEX HEAD CROSS BOLT 5/16" X 1-1/2"	16
	H2		FLAT WASHER 5/16" I.D.	16
BEAM	H3		HEX HEAD CROSS BOLT 5/16" X 3-1/8"	8
	H4		FLAT WASHER 5/16" I.D.	8
RAIL/PACKET/SLATE	H5		FLAT HEAD SCREW 3/8" X 2-3/4"	12
	H6		HEX HEAD CROSS BOLT 1/4" X 1-1/2"	12
	H7		FLAT WASHER 1/4" I.D.	12
	H8		HEX HEAD CROSS BOLT 3/8" X 2-3/8"	18
	H9		DOME WASHER 3/8" I.D.	18
	H10		FLAT HEAD SCREW #10 X 5/8"	24

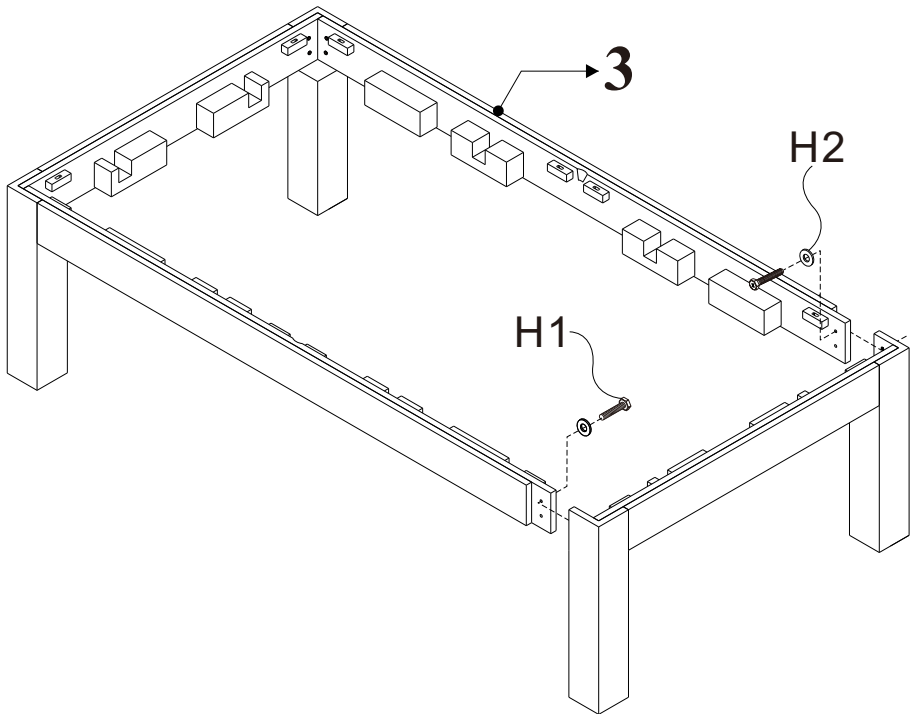
## REPLACEMENT PARTS LIST

PACKAGE	ITEM #	SAMPLE	DESCRIPTION	QTY.
LEG	1		LEG	4
FRAME	2		END CABINET PANEL	2
	3		SIDE CABINET PANEL	2
BEAM	4		CROSS BEAM	2
	5		CENTER BEAM	2
TOP RAIL	6		TOP RAIL LEFT SIDE	2
	7		TOP RAIL RIGHT SIDE	2
	8		TOP RAIL END	2
POCKET	9		SIDE POCKET	2
	10		CORNER POCKET	4
SLATE	11		SLATE (LEFT)	1
	12		SLATE (CENTER)	1
	13		SLATE (RIGHT)	1
	14		CLOTH	1
DINNING TOP	15		END DINNING TOP	2
	16		MIDDLE DINNING TOP	2

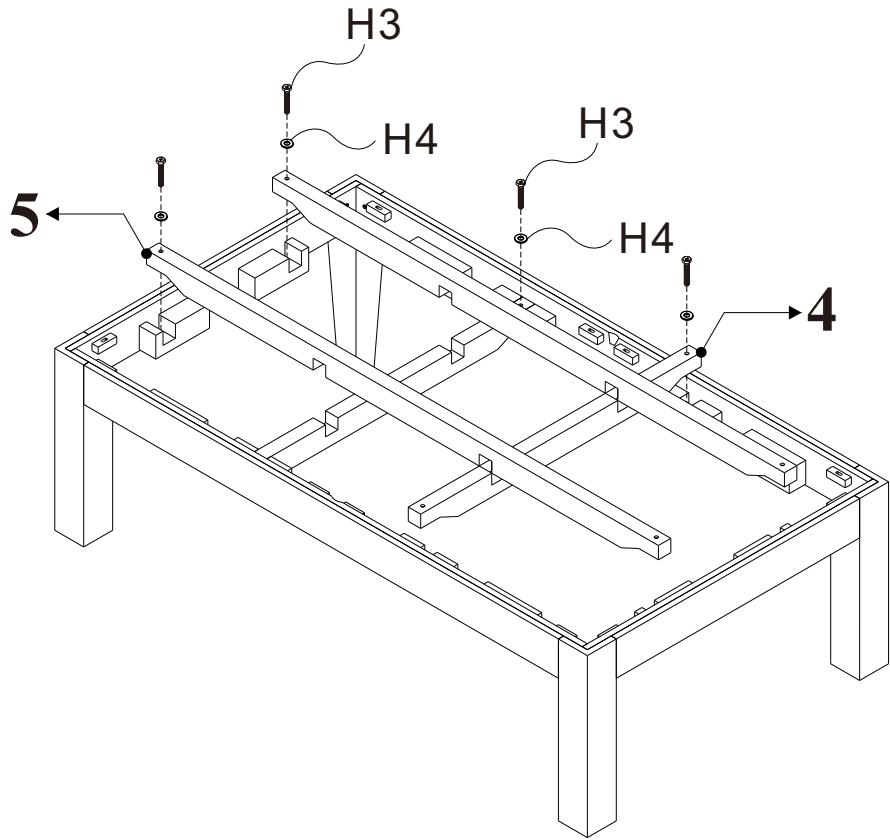
**FIG.1**



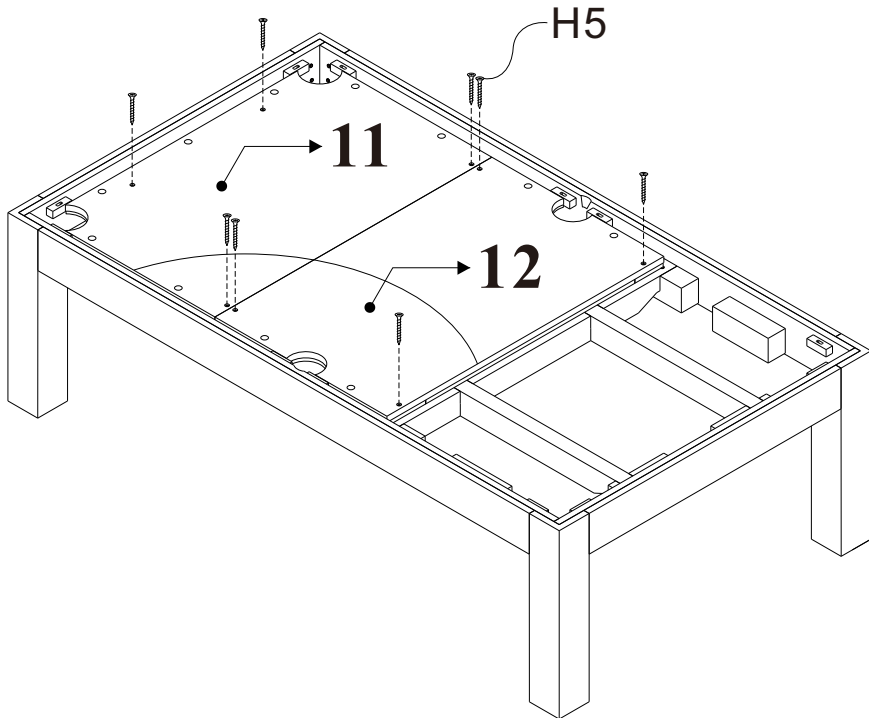
**FIG.2**



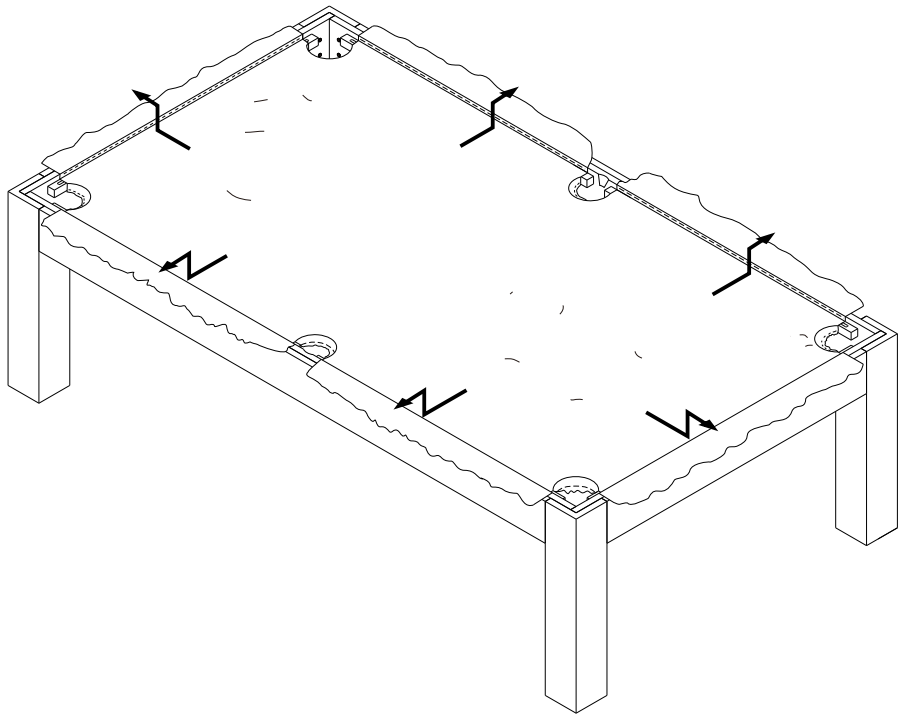
**FIG.3**



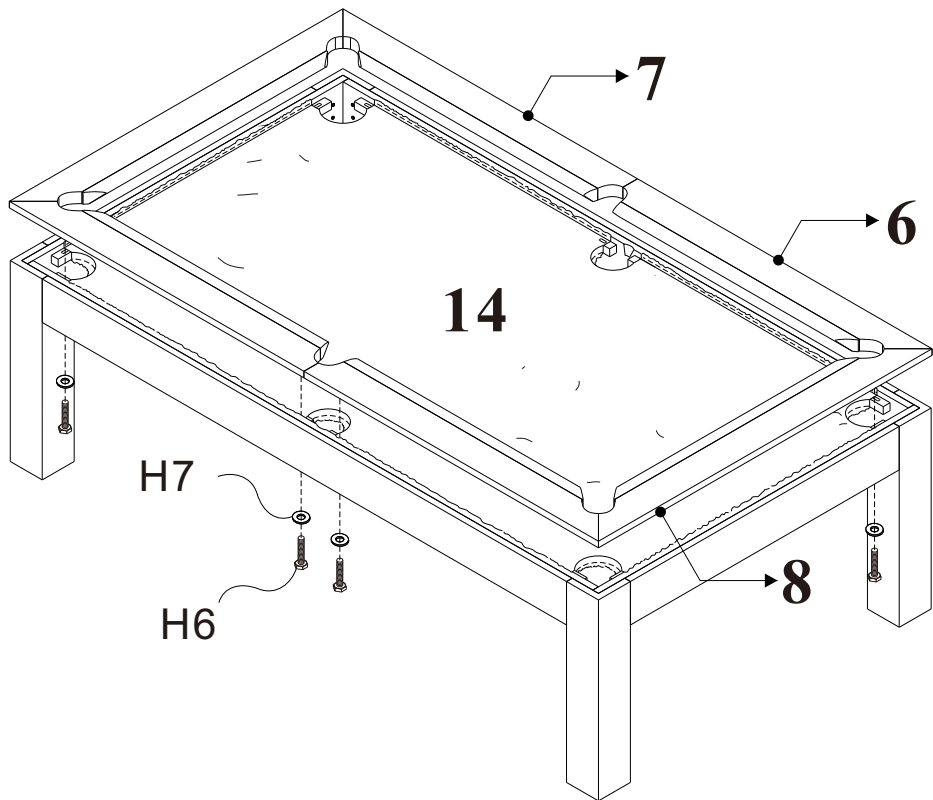
**FIG.4**



**FIG.5**

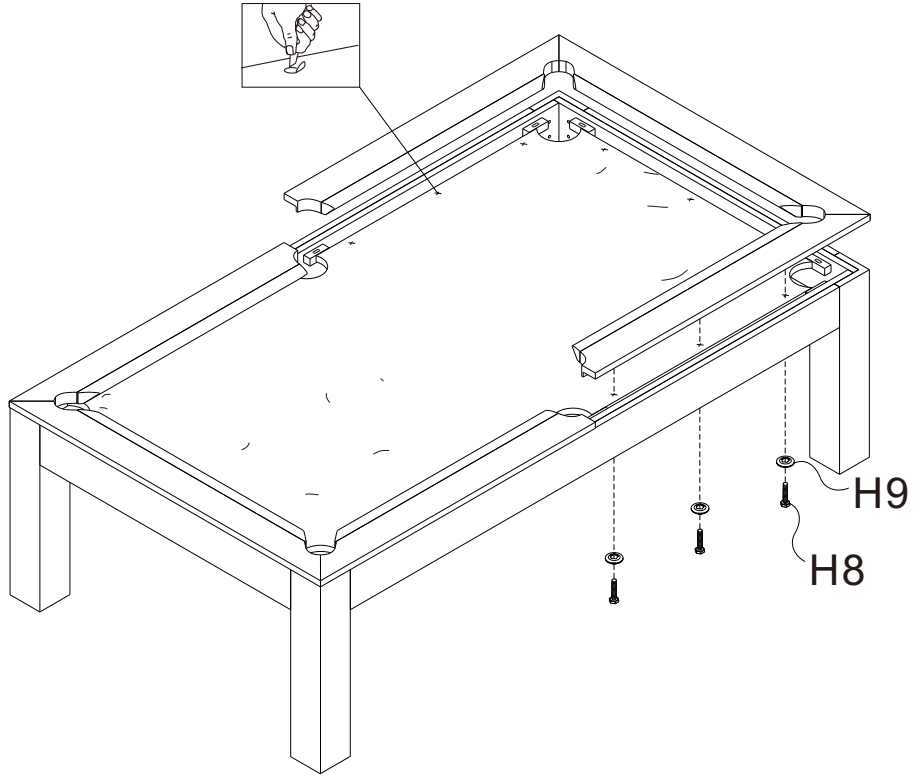


**FIG.6**

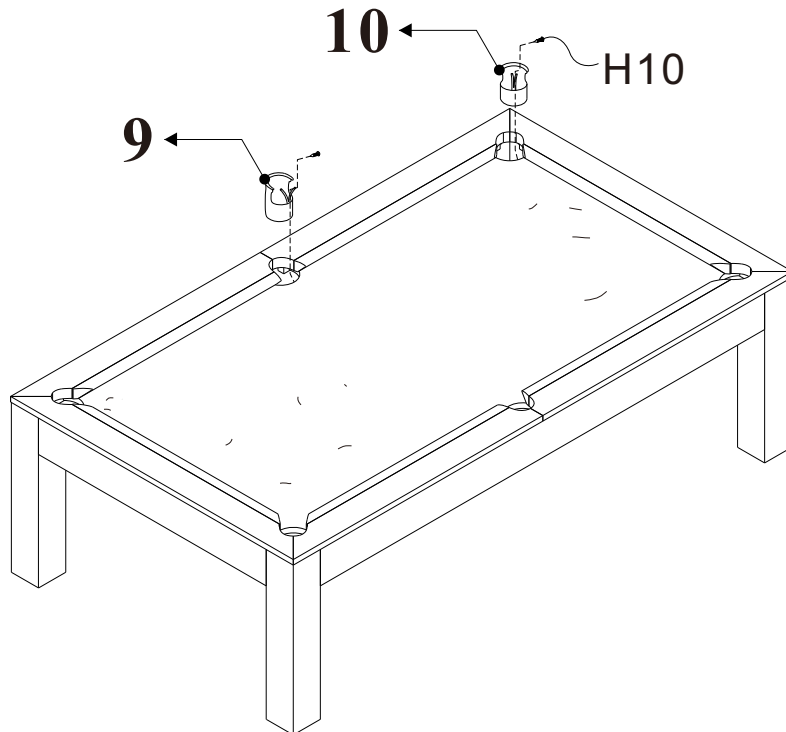


**FIG.7**

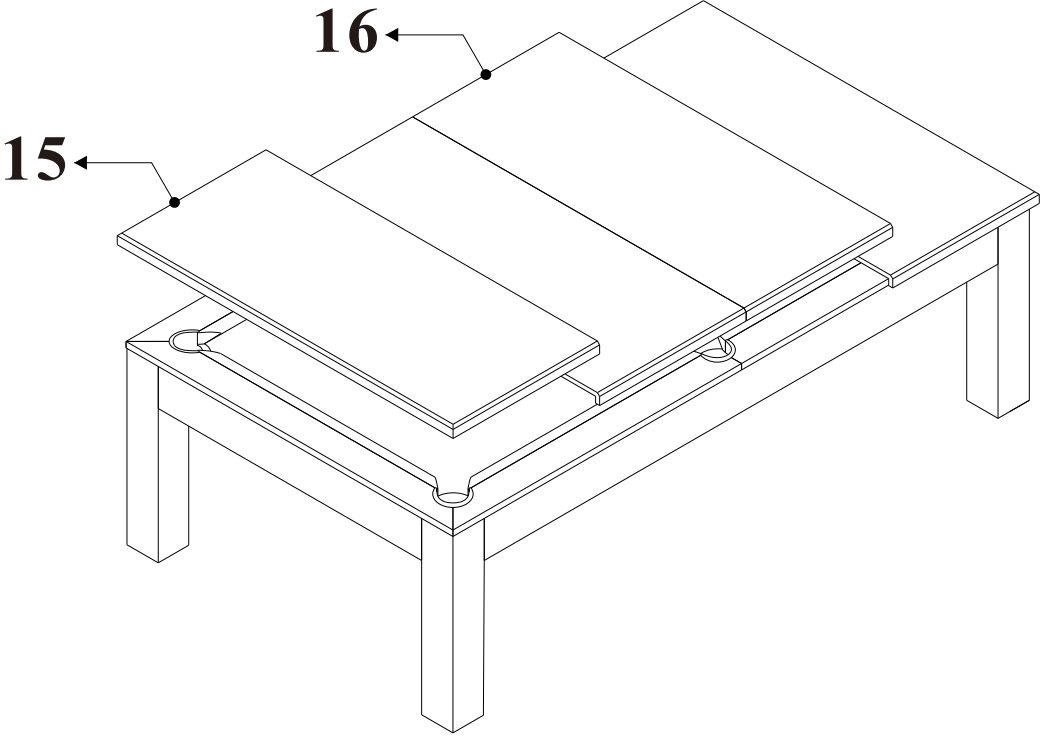
Cut holes in cloth at rail both locations.



**FIG.8**



**FIG.9**



**Finish**

