

## POOL TABLE ASSEMBLY INSTRUCTIONS

Lay out all parts, separate screws, bolts, corners, etc. All bolt and screw sizes are marked on diagram.

1). Building Legs - Legs are built using (3) main parts which consist of: (2) boxed leg squares and (1) stretcher panel which is doweled for placement into legs themselves. Use (4) bolts (1) per leg to assemble and tighten. Install long stretche between both assembles legs and bolt together.

2). Attach leg assembly to (2) metal long beams (NOTE): Holes must be up and the cutout on the beam facing out from table. Attach with (8) bolts shown in diagram (1). DO NOT TIGHTEN!!!

3). Attach cross beam with bolts shown in diagram (1). Note direction of cross beam blocks attached to beams, tighten all bolts NOW!  
Frame is now complete, attach Ball Box to frame, either end, put table in place for slate assembly.

4). Level table frame best that could be done using flat shims. Install slates on table top. Line up holes in slate to cover frame blocks. Screw slate down to table using 12 slate screws. Shim slates to match all three slabs so that both seams are smooth. Grout slate with *plaster of paris* or *bees wax*. Clean off excess and prepare table for cloth installation.

5). Lay bed cloth over top of playing surface fold up all ends and sides of cloth. Glue edge of slate covering about 1" of surface around the entire slate, including the side thickness too! STRETCH cloth tight. Glue pockets on side of slate and under slate bottom. Trim off excess cloth and cut out rail bolt hole in slate.

6). Rail Assembly: Lay rails out finish side down. 2 long rails, 2 short rails. Install corners using 3/4" screw & washer. Attach together 4 corners with flat bracket using 1/2" screws. Attach 4 apron corners to both end walls using 2 screws in top & bottom holes only. In stall 2 long side walls the same way. Attach side walls to rails using 1/2" screws through attached brackets. Turn rail assembly upright, install onto table, attach with 2" rail bolts with washers (18 supplied). Square cabinet using pocket holes. Tighten all bolts.

7). Drop pocket assembly: Insert pockets into pocket holes from underside of table. Nail in place with 1" nails (4 per pocket).

# How To Install

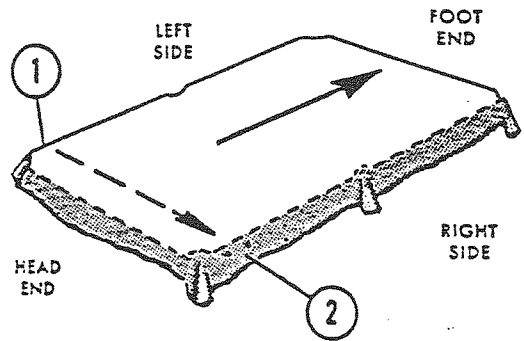
## RECOMMENDATION

Use a staple gun **INSTEAD** of using tacks where indicated

or

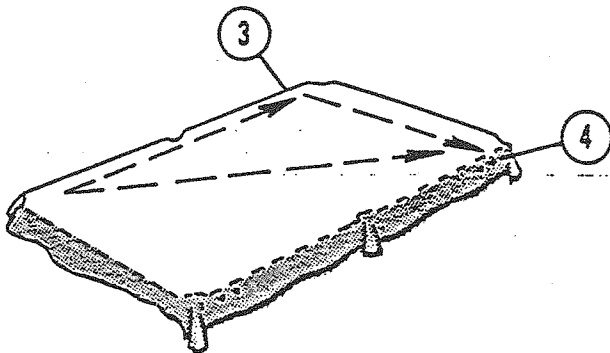
For unframed slate, for example as used with the Player, Eliminator, Sharpshooter and Friar tables, use glue. See the attached instructions.

### A.



1. Lay the bed cloth over top of slate, play side up. Leave only enough cloth at head end and left side to permit tacking, leaving balance of cloth overhanging on the foot end and right side. Tack cloth securely to slate frame at (1) with two tacks approximately 3" apart.
2. Stretch cloth across the table and tack securely at (2) again using two tacks as indicated above.

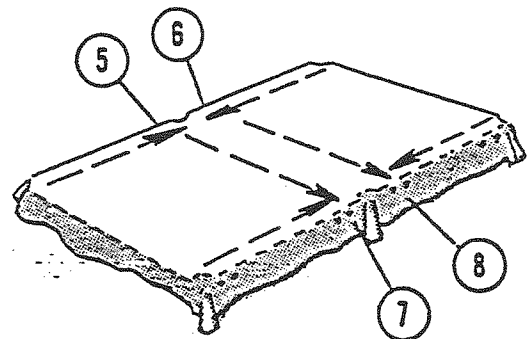
### B.



3. Stretch cloth from (1) to (3) and tack securely, maintaining proper margin on left side of table.

4. Stretching cloth across table from (3) and pulling from (2), tack cloth at (4).

### C.



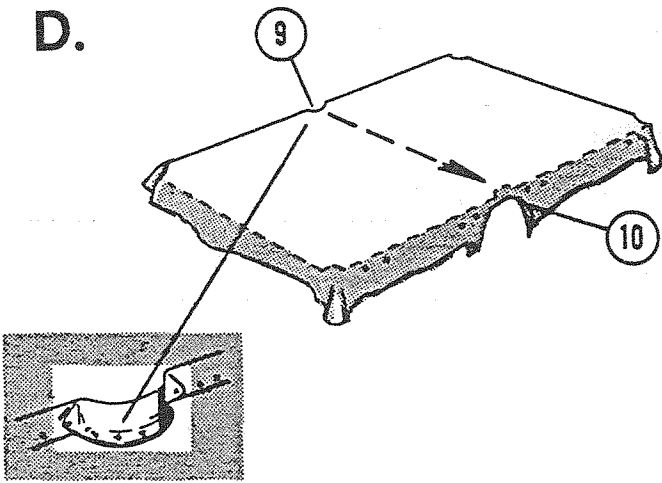
5. On left side, stretch cloth tightly from (1) toward side pocket opening and tack securely at (5).

6. Repeat operation 5, stretching cloth from (3) and tacking at (6).

7. On right side of table, grasp cloth firmly, stretch across table from (5) and toward side pocket from (2) and tack at (7).

8. Repeat operation 7, stretching from (6) and toward side pocket from (4) and tack at (8).

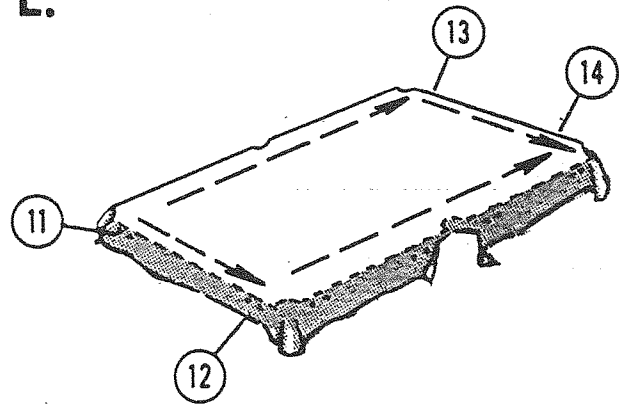
D.



9. At (9), cut a short slit in cloth at edge centered with side pocket opening. Grasp cloth firmly above this slit, pull cloth into side pocket opening and tack to undercut of slate frame. Complete tacking of cloth to side pocket opening, making sure that cloth is tacked to undercut of slate frame.

10. Stretching cloth tightly across the table from (9) repeat the above operation at (10). Be sure to tack cloth to undercut of slate frame.

E.



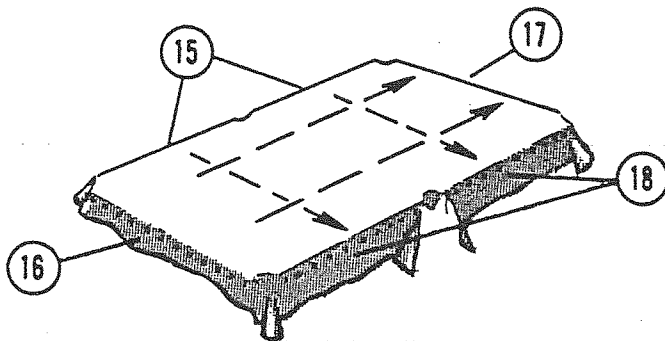
11. At Head End of table, tack cloth at (11), holding to proper margin.

12. Pull cloth from (11) toward (12) and tack securely, holding proper margin.

13. Stretch cloth firmly from (11) to Foot End of table and tack at (13).

14. Stretch cloth tightly from (12) and (13) toward (14) and tack securely.

F.



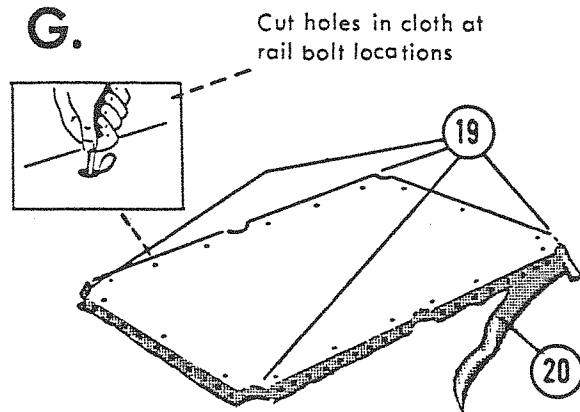
15. Tack all of Left Side on 3" centers holding to proper margin.

16. Tack balance of Head End on 3" centers holding to proper margin.

17. Stretch cloth tightly toward Foot End of table, tacking on 3" centers all the way across.

18. Stretch cloth tightly across table to Right Side, tacking on 3" centers all the way across.

G.



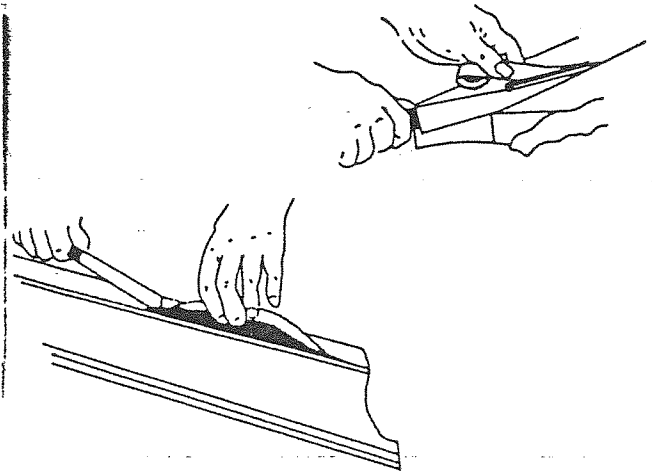
Cut holes in cloth at rail bolt locations

19. Stretch cloth into corner pocket openings and tack to undercut of slate frame.

20. Trim off excess cloth with a sharp knife.

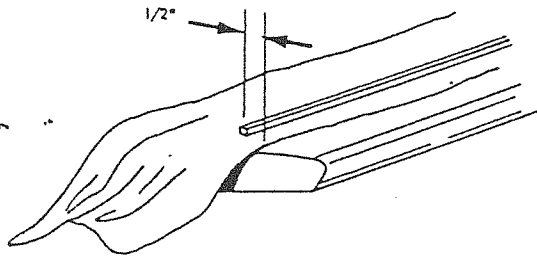
NOTE: When installing cloth on carom tables, eliminate operations No. 5, 6, 7, 8, 9, 10, and 19. Otherwise follow same procedure as outlined above. Occasionally cloth will stretch, leaving wrinkles at the pockets. To re-tighten, remove only one end rail and one side rail. Pull cloth taut, and re-tack along the open end and side to restore original tightness.

## CUSHION CLOTH REPLACEMENT

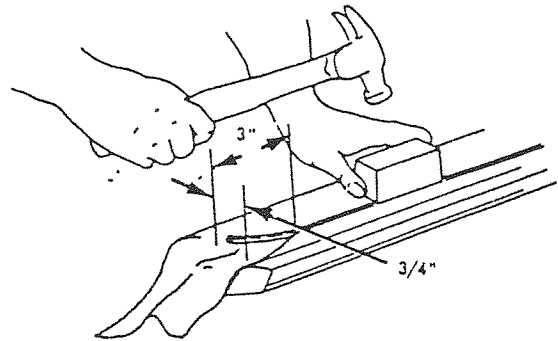


### 2. INSTALL FEATHER STRIPS

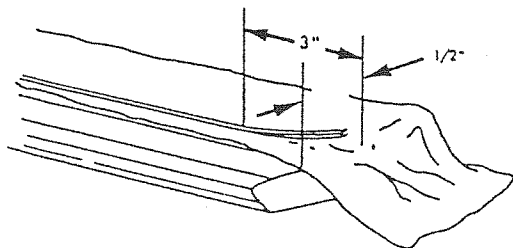
A. With rail face up, place new cloth on rail with playing surface down. Center cloth on rail, with approximately 4" of cloth at each end and 1/2" of cloth beyond the feather strip slot.



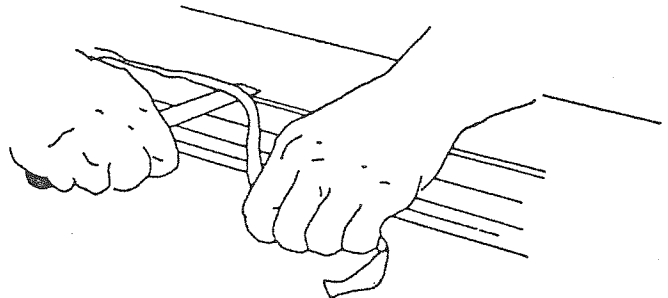
B. For corner pockets, tap feather strip in place except for 3" at each end. Start approximately 2" from end of feather strip and pull cloth toward rubber cushion until the edge of the cloth is approximately 3/4" from the end of the feather strip. Tap feather strip in place.



C. For side pockets, start approximately 3" from end of rail and pull cloth toward rubber cushion until the edge of the cloth is approximately 1/2" from the end of the feather strip. Tap feather strip in place.



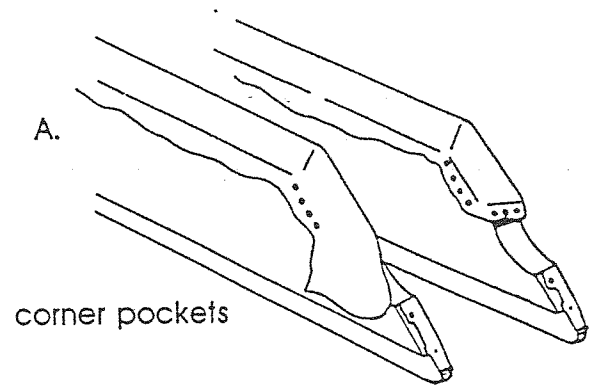
D. Pull cloth tight and tap feather strip in place, then trim cloth along cushion side of feather strip. Fold cloth over cushion and tap full length of feather strip flush with rail cap.



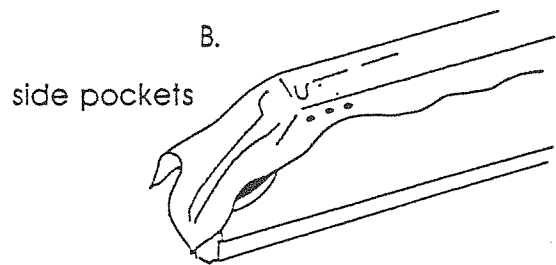
NOTE: IF FEATHER STRIPS ARE LOOSE ADD A STRIP OF MASKING TAPE THE FULL LENGTH OF STRIP.

### 3. Staple or tack cloth.

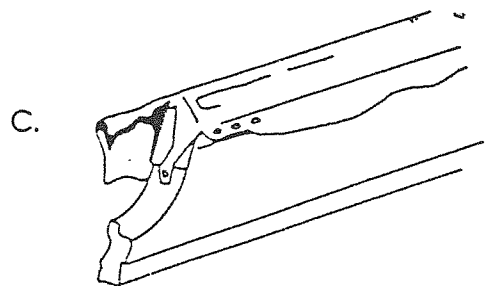
- A. Pull cloth tightly downward and tack with four tacks along bottom of rail. Pull cloth tightly over end of rail and tack with three tacks in groove back of cushion reinforcing pad.



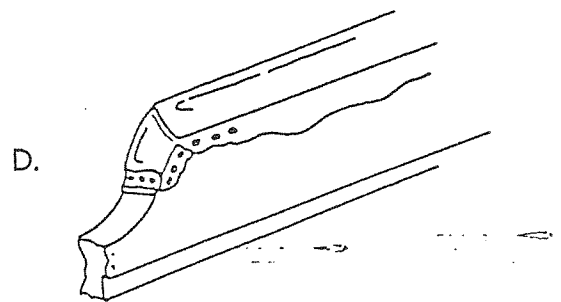
- B. For side pockets, stretch cloth firmly over nose of cushion toward the bottom without distorting cushion shape. Pull cloth tightly toward side pocket before tacking. Tack cloth to rail bottom approximately 2" from pocket opening.



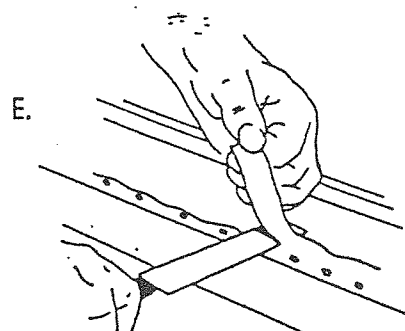
- C. Snip cloth at nose and pull small strip down to groove, tack in place as shown. Then snip (or fold) excess cloth leaving enough for small fold at the top as shown.



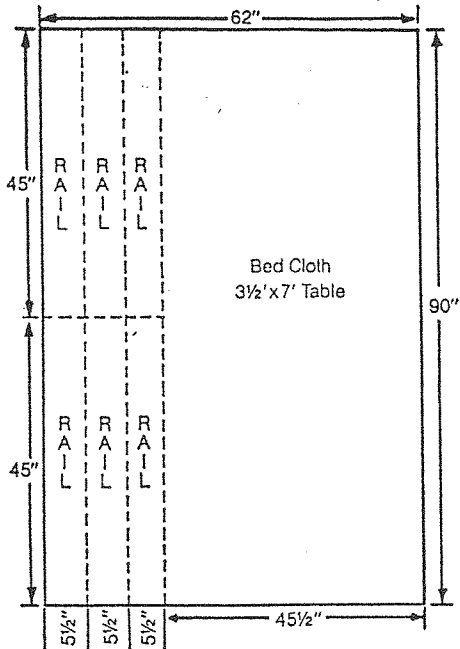
- D. Hold small fold at top in place, then fold entire piece over. Tack at bottom of rail with (3) tacks and (3) at groove. Stretch balance of cloth tightly over cushion and tack at bottom of rail, starting at the center, and working toward the ends. Space tacks about 2" apart. Be sure cloth is snug, but not tight enough to alter shape of the cushion.



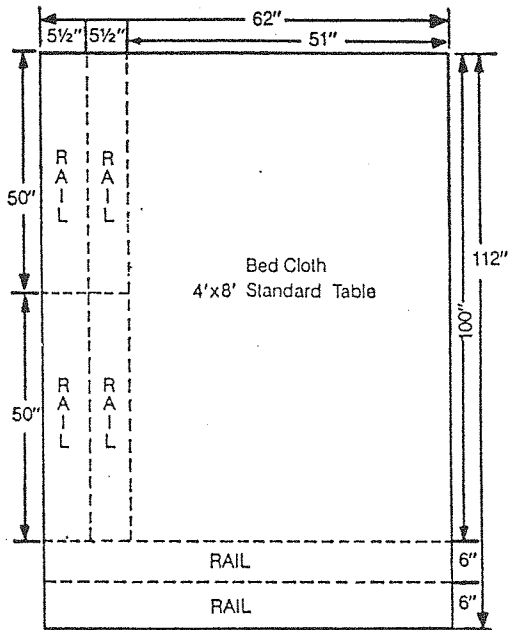
- E. Trim excess cloth from rail.



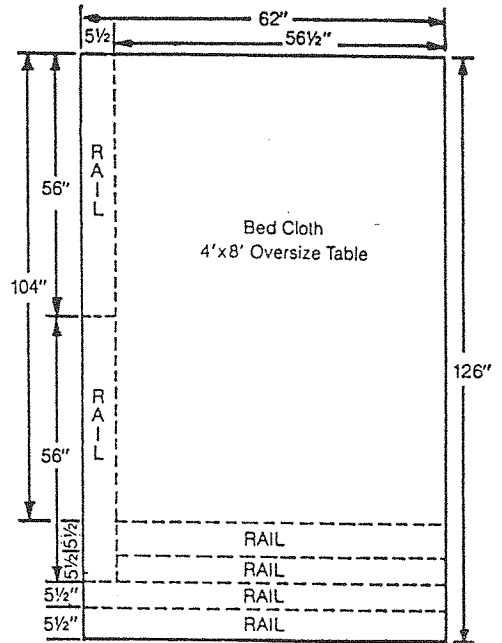
## Cloth Yardage & Cutting Guide



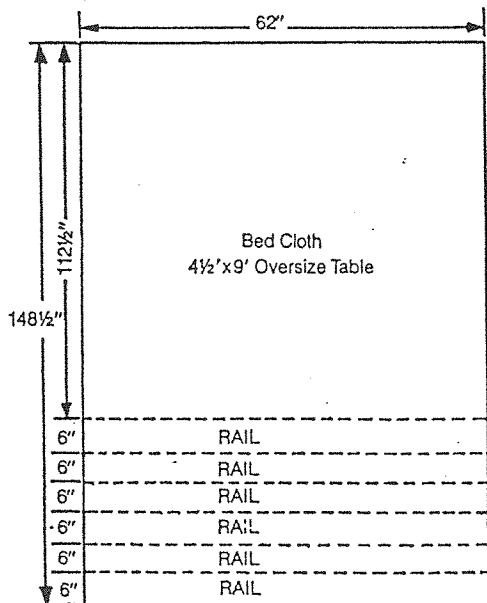
3 1/2' x 7' Table  
 Bed Cloth: 45 1/2" x 90"  
 Rail Cloths: 45" x 5 1/2" each (6 needed)  
 Total: 2 1/8 yards



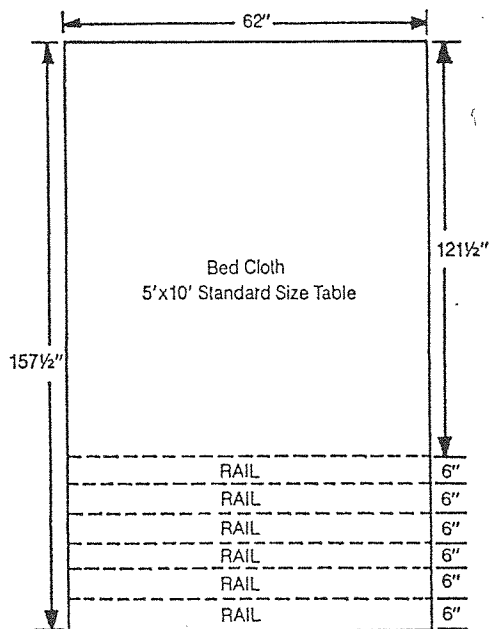
4' x 8' Table  
 Bed Cloth: 51" x 100"  
 Rail Cloths: 50" x 5 1/2" each (6 needed)  
 Total: 3 1/8 yards



4' x 8' Oversize Table  
 Bed Cloth: 56 1/2" x 104"  
 Rail Cloths: 56" x 5 1/2" each (6 needed)  
 Total: 3 1/8 yards



4 1/2' x 9' Oversize Table  
 Bed Cloth: 62" x 112 1/2"  
 Rail Cloths: 62" x 6" each (6 needed)  
 Total: 4 1/8 yards



5' x 10' Standard Size Table  
 Bed Cloth: 62" x 121 1/2"  
 Rail Cloths: 62" x 6" each (6 needed)  
 Total: 4 1/8 yards